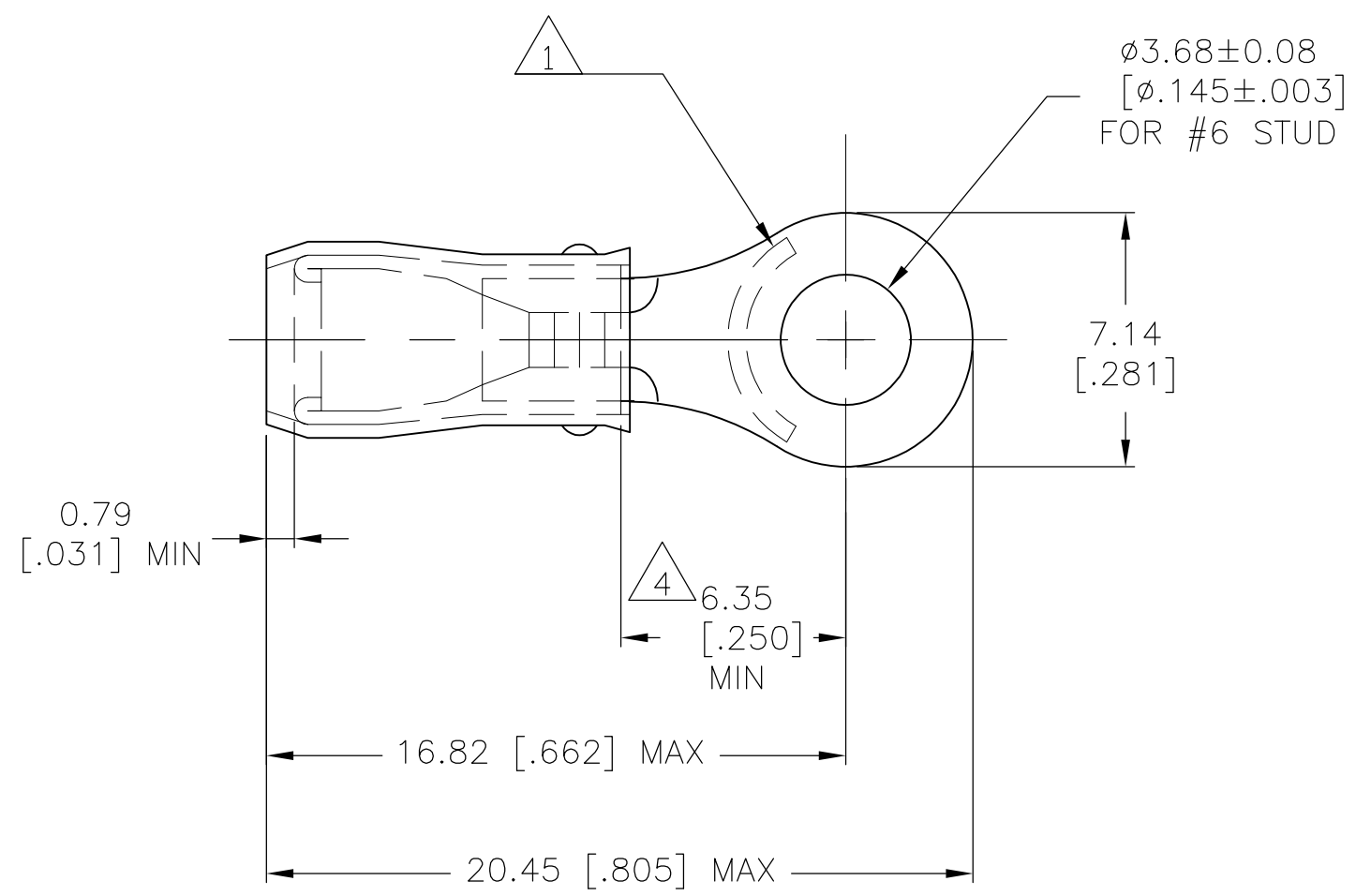


THIS DRAWING IS UNPUBLISHED. RELEASED FOR PUBLICATION  
 © COPYRIGHT BY TYCO ELECTRONICS CORPORATION. ALL RIGHTS RESERVED.

| LOC | DIST | REVISIONS |     |                       |         |     |      |
|-----|------|-----------|-----|-----------------------|---------|-----|------|
|     |      | P         | LTR | DESCRIPTION           | DATE    | DWN | APVD |
| G   | 14   |           | E1  | REV PER ECR 07-014387 | 19JUN07 | JR  | TM   |

- 1 STAMP AMP 18-16, APPROX AS SHOWN
- 2 WIRE INSULATION DIA IS 1.4-2.8mm [.055-.110] DIA
- 3 TONGUE MATERIAL THICKNESS IS 0.79±0.05 [.031±.002].
- 4 APPLIES FROM EDGE OF WIRE BARREL TO CENTER OF STUD HOLE.
- 5 MATERIAL: BODY - COPPER PER ASTM B-152 SLEEVE - NYLON
- 6 FINISH: BODY - TIN PLATE PER ASTM B-545 SLEEVE - COLOR, ORANGE



|      |              |          |
|------|--------------|----------|
| 1000 | LOOSE PIECE  | 152884   |
| QTY  | PACKAGE TYPE | PART NO. |

|  |  |   |  |   |                                  |   |                    |                        |               |
|--|--|---|--|---|----------------------------------|---|--------------------|------------------------|---------------|
| AMP INCORPORATED<br>CUSTOMER SERVICE SYSTEMS                                     |  | MAX RECOMMENDED OPERATING TEMPERATURE:<br>105°C [221°F]   | THIS DRAWING IS A CONTROLLED DOCUMENT. |   | DWN<br>JR RUTH<br>19JUN2007      | Tyco Electronics Corporation<br>Harrisburg, PA 17105-3608 |                    |                        |               |
| FOR ADDITIONAL PRODUCT INFORMATION OR COPIES OF DRAWINGS AND TECHNICAL DOCUMENTS | PRODUCT INFORMATION CENTER<br>1-800-522-6752 | VOLTAGE RATING:<br>300 V MAX  | DIMENSIONS:<br>mm [INCHES]             | TOLERANCES UNLESS OTHERWISE SPECIFIED:  | CHK<br>T MICHIELUTTI<br>19JUN07  | NAME<br>TERMINAL, RING TONGUE, PIDG, WIRE SIZE: 18-16 AWG |                    |                        |               |
| FOR APPLICATION TOOLING INFORMATION  | TOOLING ASSISTANCE CENTER<br>1-800-722-1111  | CIRCULAR MIL AREA:<br>0.81-1.65mm² [1600-3260] SOLID OR STRANDED  |  | 0 PLC ± -<br>1 PLC ± -<br>2 PLC ± 0.20 [.008]<br>3 PLC ± -<br>4 PLC ± -<br>ANGLES ± - | APVD<br>T MICHIELUTTI<br>19JUN07 | APPLICATION SPEC  |                    |                        |               |
| FOR ORDER ENTRY  | 1-800-526-5142                               | THIS DRAWING IS A CONTROLLED DOCUMENT FOR AMP INCORPORATED. IT IS SUBJECT TO CHANGE AND THE CONTROLLING ENGINEERING ORGANIZATION SHOULD BE CONTACTED FOR THE LATEST REVISION. | MATERIAL<br>5                          | FINISH<br>6   | PRODUCT SPEC                     | SIZE<br>A3  | CAGE CODE<br>00779 | DRAWING NO<br>G-152884 | RESTRICTED TO |
|  |  |   |  |   | WEIGHT                           | SCALE<br>5:1  |                    | SHEET<br>1 OF 1        | REV<br>E1     |